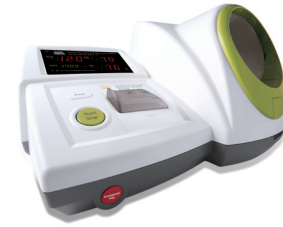


Upload-pressurized Automatic Blood Pressure Monitor BPBIO320 gives fast and less painful results.

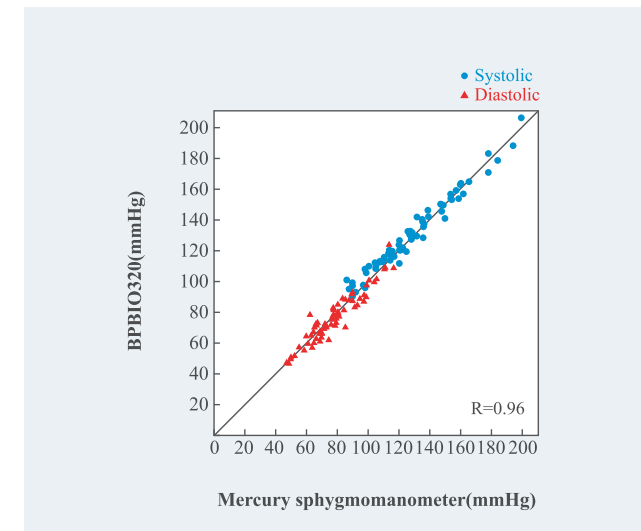


The BPBIO320 resolves the two most common problems associated with the automatic blood pressure monitors: the painful measuring process from excessive pressure and inaccurate results.

In order to locate systolic and diastolic points, previous models of automatic blood pressure monitor increased the pressure applied regardless of the each patient's blood pressure. It caused unnecessary pain as well as less reproducibility when repeating measurement due to the residual effects. BPBIO320 increases the pressure only up to the patient's systolic pressure to measure the systolic and diastolic blood pressure, allowing for minimal discomfort and minimal residual effects resulting from less pressure put. Also, it resolved the problem of prolonged measuring time from previous upflow-pressurized blood pressure monitor by using the individualized pressure according to the patient's heart rate.

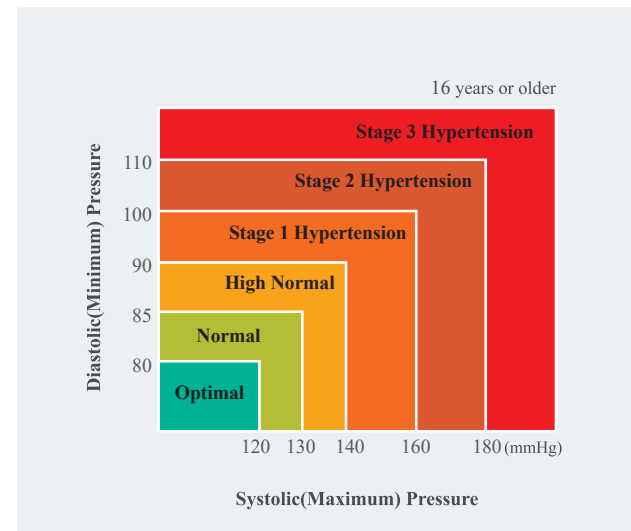
BPBIO320 is user-friendly and has all necessary components.

- Automatic energy saving mode 2 minutes after the measurement is taken
- Leads accurate measurement accounting for body movement
- Enhanced comfort using the compressor belt
- 3 color schemes
- Wide LED screen to easily read results
- 2-step security component for any emergency
- Printing and saving error codes for quick and complete customer service
- Body type analysis



Clinical trial results of BPBIO320

Mercury sphygmomanometer correlation study shows that BPBIO320 is very accurate.



ESC-ESH Guidelines for the management of arterial hypertension, 2018

BPBIO320 Specifications

Key Specifications

Measurement Method	Oscillometric
*Pressurizing Method	Automatic pressurization by pressure controller micro pump
Depressurizing Method	Exhaust by micro valve
Cuff	Pressurizing belt method by gear motor, Automatic operation
Measurement Range	0~300mmHg(Pressure), 30~240 bpm(Pulse), 17 ~ 42cm(Arm circumference)
Accuracy	± 2mmHg(Pressure), ±1.5%(Pulse)
Measurement Results	Systolic Blood Pressure, Diastolic Blood Pressure, Pulse Rate
Measurement Duration	Average 30 seconds (20 ~ 50 seconds depending on the pulse rate or blood pressure)
Pressurizing Time	About 10 seconds
Display Unit	1mmHg

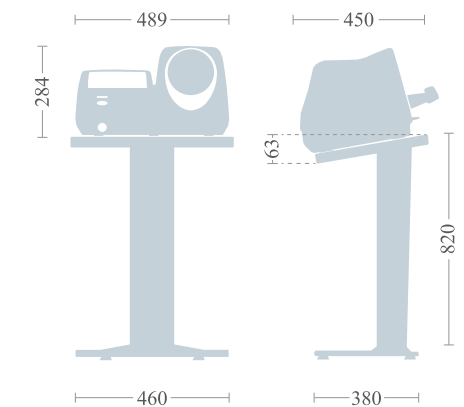
Function Specifications

Display Type	7-Segment LED(Systolic, Diastolic, Time, Pulse)
Types of Results Sheets	Results sheet value 3 line express print / Select graph print option
Database	Can save up to 1,000,000 results
Energy Saving	Automatically converts to energy saving mode 2 minutes after the last measurement is taken
* Dual Safety System	[START/STOP] button: the cuff will become loose and deflate * If the air pressure surpasses 300mmHg, the cuff will automatically deflate and loosen. [EMERGENCY STOP] button: the cuff will become loose for deflation regardless of the main controller.
Voice Guidance	Provides audible indication for test in progress, test complete, and successfully saved settings changes.
Volume Controller	Volume can be controlled by volume controller
Printer	High-speed thermal printer with automatic cutter (2.5 inches wide)
Etc.	Anti-theft hole, CAL(Used for connecting to a mercury sphygmomanometer for pressure value adjustment)
External Interface	RS232C(USB compatibility when using USB cable)
Option	Personal desk, Height controllable chair

Other Specifications

Power Source	AC 100~240V, 50/60Hz
Power Consumption	30VA
Dimension	489(W) × 450(L) × 284(H): mm 19.3(W) × 17.7(L) × 11.2(H): inch
Weight	9kg(19.8lbs)
Operation Environment	10 ~ 40°C(50 ~ 104°F), 30 ~ 75%RH, 70 ~ 106kPa
Storage Environment	-10 ~ 70°C(14 ~ 158°F), 10 ~ 80%RH, 50 ~ 106kPa(No condensation)

*Specifications are subject to be changed without prior notice.



InBody is a body composition analysis device manufacturer that has acquired over 120 patent rights across the globe.



InBody

InBody HQ [KOREA]
InBody Co., Ltd.
 InBody Bldg., 625, Eonju-ro, Gangnam-gu,
 Seoul 06106 Republic of Korea
 TEL: +82-2-501-3939
 FAX: +82-2-578-5669
 Website: inbody.com
 E-mail: info@inbody.com

InBody Co., Ltd. [Factory]
 15, Heugnam-gil, Ipijang-myeon,
 Seobuk-gu, Cheonan-si,
 Chungcheongnam-do 31025 KOREA
 TEL: +82-41-581-3003
 FAX: +82-41-581-3103
 Website: inbody.com
 E-mail: info@inbody.com

InBody USA [USA]
 Biospace Inc. dba InBody
 13850 Cerritos Corporate
 Dr. Unit C Cerritos, CA 90703 USA
 TEL: +1-323-932-6503
 FAX: +1-323-952-5009
 Website: inbodyusa.com
 E-mail: info.us@inbody.com

InBody Europe [EU]
 InBody Europe B.V.
 Gyrocoopweg 122, 1042 AZ,
 Amsterdam,
 The Netherlands
 TEL: +31-20-238-6080
 FAX: +31-6-5734-1858
 Website: nl.inbody.com
 E-mail: info.eu@inbody.com

InBody Japan [JAPAN]
 InBody Japan Inc.
 Tani Bldg., 1-28-6, Kameido,
 Koto-ku, Tokyo
 TEL: +81-3-5875-5780
 FAX: +81-3-5875-5781
 Website: www.inbody.co.jp
 E-mail: inbody@inbody.co.jp

InBody India [INDIA]
 InBody India Pvt.Ltd.
 Unit No. G-B 10, Ground Floor,
 Art Guild House,
 Phoenix Market City, L.B.S. Marg,
 Kurla (West), Mumbai 400070 India
 TEL: +91-22-6223-1911
 Website: inbody.in
 E-mail: india@inbody.com

InBody China [CHINA]
 Biospace China Co., Ltd.
 904, XingDiPlaza, No.1698 YiShanRoad,
 Shanghai 201103 China
 TEL: +86-21-6443-9705
 FAX: +86-21-6443-9706
 Website: inbodychina.com
 E-mail: info@inbodychina.com

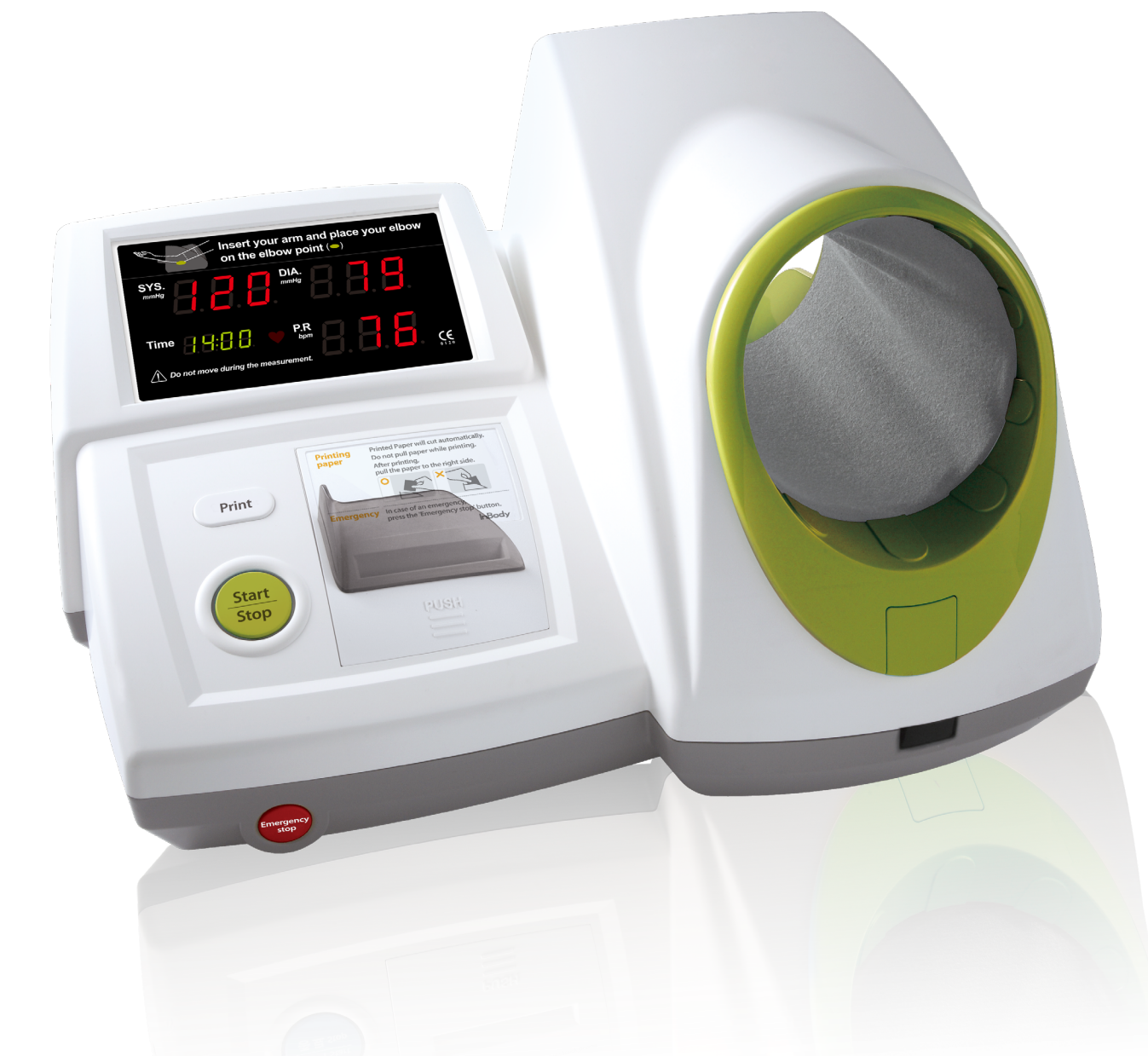
InBody Asia [ASIA]
 InBody Asia Sdn. Bhd.
 Unit 3A-11, Oval Damansara,
 685 Jalan Damansara Kuala Lumpur,
 WP KL 60000 Malaysia
 TEL: +60-3-7732-0790
 FAX: +60-3-7733-0790
 Website: inbodyasia.com
 E-mail: info@inbodyasia.com

inbody.com



BPBIO320

Upload-pressurized Automatic Blood Pressure Monitor



Measuring blood pressure is one of the fundamental steps for maintaining a healthy lifestyle

Blood screening is basic to health check up.

BPBIO320 enables maintenance of health and lifestyle by allowing quick, easy and comfortably blood pressure measurement.



* The BPBIO320 desk and chair option allows for an even safer use of BPBIO320. (optional)

Convenience is also technology. BPBIO320

Simple and chic design with 3 different color schemes.

■ Green



■ Blue



■ Orange



■ Gray



Functions of BPBIO320

- 1 Able to measure arm circumference between 17 ~ 42cm.
- 2 Comfortable and painless measurement with the air pouch insulation and the cuff
- 3 Biotechnological design that ensures the right posture
- 4 Wide LED screen for easy checking of all results (systolic, diastolic, and pulse rate), LED light guides the process of measurement and indicates current time
- 5 One-touch check for reviewing and printing past results
- 6 'Print' button for an easier test
Larger buttons for easier recognition
- 7 High-speed thermal printer with automatic cutter for a clean and quick printing
Two different printing options available

Graph printing

* MEASURE TIME : 19/05/06 14:00
Systolic : 120 mmHg
Diastolic : 79 mmHg
Pulse : 76 bpm

PULSE GRAPH

3 Line printing

* MEASURE TIME : 19/05/06 14:00
Systolic : 120 mmHg
Diastolic : 79 mmHg
Pulse : 76 bpm

- 8 Emergency closing during measuring process if necessary



BPBIO320's user-friendly design enables easy and accurate use for not only regular user, but also even for the first-time users. This allows for easy and high quality public use and installation.

Outpatient clinics at hospitals or diagnostic purposes, public health centers



Recreational facilities, such as hotels or condominiums



Rest areas in companies, factories or training centers



Schools, military, or religious institutions



Sports centers, golf clubs, spa, sauna, or martial art centers



Public service areas in government organizations, banks or financial institution, or other public facilities, such as the subway



Private hospitals, Oriental-medicine clinics, rehabilitation, special diagnostic centers

